



DOSCALLS

The [CP \(Control Program\) API](#). Names is not used for exports. DOSCALLS exports ONLY BY ORDINAL. Names here for reference only. [FAPI](#) column is a flag of DOS mode support. Version column is OS/2 version in which function was introduced.

Entry points

Ordinal	Name	Description	Status	FAPI	Version
1	DOS16ICREATETHREAD	Internal undocumented function		No	1.0
2	DOS16CWAIT	Wrapper around DosWaitChild		No	1.0
3	DOS16ENTERCRITSEC	Wrapper around DosEnterCritSec		No	1.0
4	DOS16IEXECPGM	Internal undocumented function		No	1.0
5	DOS16EXIT	Wrapper around DosExit/Int 21H, AH=4CH	Done	Yes	1.0
6	DOS16EXITCRITSEC	Wrapper around DosExitCritSec		No	1.0
7	DOS16EXITLIST	Wrapper around DosExitList		No	1.0
8	DOS16GETINFOSEG	Wrapper around DosGetInfoBlocks		No	1.0
9	DOS16GETPRTY	Wrapper around DosGetInfoBlock		No	1.0
10	DOS16KILLPROCESS	Wrapper around DosKillProcess		No	1.0
11	DOS16SETPRTY	Wrapper around DosSetPriority		No	1.0
12	DOS16PTRACE	Wrapper around DosDebug		No	1.0
13	DOS16HOLDSIGNAL	Wrapper around DosSetSignalExceptionFocus		Yes	1.0
14	DOS16SETSIGHANDLER	Wrapper around DosSetExceptionHandler		Yes	1.0
15	DOS16FLAGPROCESS			No	1.0
16	DOS16MAKEPIPE	Wrapper around DosCreatePipe		No	1.0
17	DOS16ISYSSEMCLEAR	Internal undocumented function		No	1.0
18	DOS16ISEMREQUEST	Internal undocumented function		No	1.0
19	DOS16ISYSSEMSET	Internal undocumented function		No	1.0
20	DOS16SEMSETWAIT			No	1.0
21	DOS16ISEMWAIT	Internal undocumented function		No	1.0
22	DOS16MUXSEMWAIT			No	1.0
23	DOS16CLOSESEM			No	1.0
24	DOS16CREATESEM			No	1.0

Ordinal	Name	Description	Status	FAPI	Version
25	DOS16OPENSEM			No	1.0
26	DOS16RESUMETHREAD	Wrapper around DosResumeThread		No	1.0
27	DOS16SUSPENDTHREAD	Wrapper around DosSuspendThread		No	1.0
28	DOS16SETDATETIME	Wrapper around DosSetDateTime		Yes	1.0
29	DOS16TIMERASYNC	Wrapper around DosAsyncTimer		No	1.0
30	DOS16TIMERSTART	Wrapper around DosStartTimer		No	1.0
31	DOS16TIMERSTOP	Wrapper around DosStopTimer		No	1.0
32	DOS16SLEEP	Wrapper around DosSleep		Yes	1.0
33	DOS16GETDATETIME	Wrapper around DosGetDateTime		Yes	1.0
34	DOS16ALLOCSEG			Yes	1.0
35	DOS16ALLOCSHRSEG			No	1.0
36	DOS16GETSHRSEG			No	1.0
37	DOS16GIVESEG			No	1.0
38	DOS16REALLOCSEG			Yes	1.0
39	DOS16FREESEG	Deallocates a memory segment		Yes	1.0
40	DOS16ALLOCHUGE			Yes	1.0
41	DOS16GETHUGESHIFT			Yes	1.0
42	DOS16REALLOCHUGE			Yes	1.0
43	DOS16CREATECSALIAS			Yes	1.0
44	DOS16LOADMODULE	Wrapper around DosLoadModule		No	1.0
45	DOS16GETPROCADDR	Wrapper around DosQueryProcAddr		No	1.0
46	DOS16FREEMODULE	Wrapper around DosFreeModule		No	1.0
47	DOS16GETMODHANDLE	Wrapper around DosQueryModuleHandle		No	1.0
48	DOS16GETMODNAME	Wrapper around DosQueryModuleName		No	1.0
49	DOS16GETMACHINEMODE	Get processor mode	Done	Yes	1.0
50	DOS16BEEP	Wrapper around DosBeep		Yes	1.0
51	DOS16CLIACCESS			Yes	1.0
52	DOS16DEVCONFIG	Wrapper around DosDevConfig		Yes	1.0
53	DOS16DEVIOTL	Wrapper around DosDevIOctl		Yes	1.0
54	DOS16SGSWITCH			No	1.0
55	DOS16SGSWITCHME			No	1.0
56	DOS16BUFRESET	Wrapper around DosResetBuffer		Yes	1.0
57	DOS16CHDIR	Wrapper around DosSetCurrentDir	Done	Yes	1.0
58	DOS16CHGFILEPTR	Wrapper around DosSetFilePtr	Done	Yes	1.0

Ordinal	Name	Description	Status	FAPI	Version
59	DOS16CLOSE	Wrapper around DosClose	Done	Yes	1.0
60	DOS16DELETE	Wrapper around DosDelete	Done	Yes	1.0
61	DOS16DUPHANDLE	Wrapper around DosDupHandle	Done	Yes	1.0
62	DOS16FILELOCKS			Yes	1.0
63	DOS16FINDCLOSE	Wrapper around DosFindClose		Yes	1.0
64	DOS16FINDFIRST	Wrapper around DosFindFirst		Yes	1.0
65	DOS16FINDNEXT	Wrapper around DosFindNext		Yes	1.0
66	DOS16MKDIR	Wrapper around DosCreateDir		Yes	1.0
67	DOS16MOVE	Wrapper around DosMove		Yes	1.0
68	DOS16NEWSIZE	Wrapper around DosSetFileSize		Yes	1.0
69	DOS16PORTACCESS			Yes	1.0
70	DOS16OPEN	Wrapper around DosOpen		Yes	1.0
71	DOS16QCURDIR	Wrapper around DosQueryCurrentDir		Yes	1.0
72	DOS16QCURDISK	Wrapper around DosQueryCurrentDisk		Yes	1.0
73	DOS16QFHANDSTATE	Wrapper around DosQueryFHState		Yes	1.0
74	DOS16QFILEINFO	Wrapper around DosQueryFileInfo		Yes	1.0
75	DOS16QFILEMODE	Wrapper around DosQueryFileMode		Yes	1.0
76	DOS16QFSINFO	Wrapper around DosQueryFSInfo		Yes	1.0
77	DOS16QHANDTYPE	Wrapper around DosQueryHType		No	1.0
78	DOS16QVERIFY	Wrapper around DosQueryVerify	Done	Yes	1.0
79	DOS16IREAD	Internal undocumented function		No	1.0
80	DOS16RMDIR	Wrapper around DosDeleteDir	Done	Yes	1.0
81	DOS16SELECTDISK	Wrapper around DosSetDefaultDisk	Done	Yes	1.0
82	DOS16SETFHANDSTATE	Wrapper around DosSetFHState		Yes	1.0
83	DOS16SETFILEINFO	Wrapper around DosSetFileInfo		Yes	1.0
84	DOS16SETFILEMODE	Wrapper around DosSetFileMode		Yes	1.0
85	DOS16SETMAXFH	Wrapper around DosSetMaxFH		No	1.0
86	DOS16SETVERIFY	Wrapper around DosSetVerify	Done	Yes	1.0
87	DOS16IWRITE	Internal undocumented function		No	1.0
88	DOS16SYSTEMSERVICE			No	1.0
89	DOS16SETVEC			Yes	1.0
90	DOS16SYSTRACE			No	1.0
91	DOS16GETENV	Wrapper around DosGetInfoBlocks		Yes	1.0

Ordinal	Name	Description	Status	FAPI	Version
92	DOS16GETVERSION	Wrapper around DosQuerySysInfo		Yes	1.0
93	DOS16QTRACEINFO			No	1.0
94	DOS16GETPID			No	1.0
95	DOS16OPEN2				
96	DOS16LIBINIT			No	1.0
97	DOS16SETFSINFO	Wrapper around DosSetFSInfo		Yes	1.0
98	DOS16QPATHINFO				
99	DOS16DEVIOTL2				
100	DOS16ICANONICALIZE	Internal undocumented function		No	1.0
101	DOS16SETFGND			No	1.0
102	DOS16SWAPTASKINIT			No	1.0
103	DOS16READPHYS			No	1.0
104	DOS16SETPATHINFO				
105	DOS16SGSWITCHPROC2				
106	STRUCHECK			No	1.0
107	STRURESUPDATE			No	1.0
108	DoslSetRelMaxFH	Internal undocumented function		No	
109	DoslDevIOctI	Internal undocumented function		No	
110	DosForceDelete	Gate to KAL	Done	No	
111	DosKillThread	Gate to KAL	Done	No	
112	DosQueryRASInfo				
113	DosDumpProcess				
114	DosSuppressPopUps				
115	THK32ALLOCMEM				
116	THK32FREEMEM				
117	THK32ALLOCSTACK				
118	DosOpen2Compt				
119	DOS16GETSTDA			No	1.0
120	DOS16ERROR	Wrapper around DosError		Yes	1.0
121	DOS16GETSEG			No	1.0
122	DOS16LOCKSEG			No	1.0
123	DOS16UNLOCKSEG			No	1.0
124	DOS16SGSWITCHPROC			No	1.0
125	DOS16IRAMSEMWAKE	Internal undocumented function		No	1.0
126	DOS16SIZESEG				
127	DOS16MEMAVAIL			No	1.0
128	DoslRamSemRequest	Internal undocumented function		No	
129	DOS16PHYSICALDISK			No	1.0
130	DOS16GETCP	Wrapper around DosQueryCp		No	1.0

Ordinal	Name	Description	Status	FAPI	Version
131	DOS16SETCP	Internal undocumented function		No	1.0
132	DOS16GLOBALSEG			No	1.0
133	DOS16PROFILE			No	1.0
134	DOS16SENDSIGNAL			No	1.0
135	DOS16HUGESHIFT			No	1.0
136	DOS16HUGEINCR			No	1.0
137	DOS16READ	Wrapper around DosRead		Yes	1.0
138	DOS16WRITE	Wrapper around DosWrite		Yes	1.0
139	DOS16ERRCLASS	Wrapper around DosErrClass		Yes	1.0
140	DOS16SEMREQUEST			No	1.0
141	DOS16SEMCLEAR			No	1.0
142	DOS16SEMWAIT			No	1.0
143	DOS16SEMSET			No	1.0
144	DOS16EXECPGM	Wrapper around DosExecPgm		Yes	1.0
145	DOS16CREATETHREAD	Wrapper around DosCreateThread		No	1.0
146	DOS16SUBSET			Yes	1.0
147	DOS16SUBALLOC			Yes	1.0
148	DOS16SUBFREE			Yes	1.0
149	DOS16READASYNC			No	1.0
150	DOS16WRITEASYNC			No	1.0
151	DOS16SEARCHPATH	Wrapper around DosSearchPath		No	1.0
152	DOS16SCANENV	Wrapper around DosScanEnv		No	1.0
153	DOS16SETCP			No	1.0
154	DOS16QPROCSTATUS			No	1.0
155	DOS16GETRESOURCE			No	
156	DOS16GETPPID			No	
157	DOS16CALLBACK			No	
158	DosICallBack	Internal undocumented function		No	
159	DOS16RETFORWARD			No	
160	DOS16R2STACKREALLOC			No	
161	DOS16FSRAMSEMREQUEST			No	
162	DOS16FSRAMSEMCLEAR			No	
163	DOS16QAPPTYPE			No	
164	DOS16SETPROCCP			No	1.0
165	DOS16DYNAMICTRACE			No	
166	DOS16QSYSINFO			No	
167	DosIMakeNmPipe	Internal undocumented function		No	
168	DosICallNmPipe	Internal undocumented function		No	
169	DosIConnectNmPipe	Internal undocumented function		No	

Ordinal	Name	Description	Status	FAPI	Version
170	DosIDisconnectNmPipe	Internal undocumented function		No	
171	DosIPeekNmPipe	Internal undocumented function		No	
172	DosIQNmPipeInfo	Internal undocumented function		No	
173	DosIQNmPHandState	Internal undocumented function		No	
174	DosISetNmPHandState	Internal undocumented function		No	
175	DosITransactNmPipe	Internal undocumented function		No	
176	DosIWaitNmPipe	Internal undocumented function		No	
177	DosISetNmPipeSem	Internal undocumented function		No	
178	DosIQNmPipeSemState	Internal undocumented function		No	
179	DosIRawReadNmPipe	Internal undocumented function		No	
180	DosIRawWriteNmPipe	Internal undocumented function		No	
181	DOS16FSATTACH			No	
182	DOS16QFSATTACH			No	
183	DOS16FSCTL			No	
184	DOS16FINDFIRST2			No	
185	DOS16MKDIR2			No	
186	DOS16FILEIO			No	
187	DOS16FINDNOTIFYCLOSE			No	
188	DOS16FINDNOTIFYFIRST			No	
189	DOS16FINDNOTIFYNEXT			No	
190	DOS16SETTRACEINFO			No	
191	DOS16EDITNAME	Wrapper around DosEditName		No	
192	DOS16LOGMODE			No	
193	DOS16LOGENTRY			No	
194	DOS16GETLOGBUFFER			No	
195	DOS16LOGREGISTER			No	
196	DOS16LOGREAD			No	
197	DOS16FINDFROMNAME			No	
198	DOS16OPLOCKRELEASE				
199	DOS16OPLOCKWAIT				
200	DosICopy	Internal undocumented function		No	
201	DOS16COPY	Wrapper around DosCopy			
202	DosIQAppType	Internal undocumented function		No	
203	DOS16FORCEDELETE	Wrapper around DosForceDelete			

Ordinal	Name	Description	Status	FAPI	Version
204	DOS16ENUMATTRIBUTE				
205	DOS16OPLOCKSHUTDOWN				
206	DOS16SHUTDOWN				
207	DOS16GETRESOURCE2				
208	DOS16FREERESOURCE				
209	DosSetMaxFH	Gate to KAL	Done		
210	DosSetVerify				
211	DosErrClass				
212	DosError	Gate to KAL	Done		
213	DosCreateVDM				
214	DOS16MAXPATHLEN				
215	DOS16PAGESIZE				
216	DOS16LOCALINFO				
217	DOS16GLOBALINFO				
218	DosSetFileInfo				
219	DosSetPathInfo				
220	DosSetDefaultDisk	Gate to KAL	Done		
221	DosSetFHState	Gate to KAL	Done		
222	DosSetFSInfo				
223	DosQueryPathInfo	Gate to KAL	Done		
224	DosQueryHType	Gate to KAL	Done		
225	DosQueryVerify				
226	DosDeleteDir	Gate to KAL	Done		
227	DosScanEnv		Done		
228	DosSearchPath		Done		
229	DosSleep	Gate to KAL	Done		
230	DosGetDateTime				
231	DosDevConfig				
232	DosEnterCritSec				
233	DosExitCritSec				
234	DosExit	Gate to KAL	Done		
235	DosKillProcess				
236	DosSetPriority				
237	DosResumeThread	Gate to KAL	Done		
238	DosSuspendThread	Gate to KAL	Done		
239	DosCreatePipe				
240	DosCallNPipe				
241	DosConnectNPipe				
242	DosDisConnectNPipe				
243	DosCreateNPipe				
244	DosPeekNPipe				
245	DosQueryNPHState				
246	DosRawReadNPipe				
247	DosRawWriteNPipe				
248	DosQueryNPipeInfo				

Ordinal	Name	Description	Status	FAPI	Version
249	DosQueryNPipeSemState				
250	DosSetNPHState				
251	DosSetNPipeSem				
252	DosTransactNPipe				
253	DosWaitNPipe				
254	DosResetBuffer	Gate to KAL	Done		
255	DosSetCurrentDir	Gate to KAL	Done		
256	DosSetFilePtr	Wrapper around DosSetFilePtrL	Done		
257	DosClose	Gate to KAL	Done		
258	DosCopy		Done		
259	DosDelete	Gate to KAL	Done		
260	DosDupHandle	Gate to KAL	Done		
261	DosEditName		Done		
262	THK32FREESTACK				
263	DosFindClose	Gate to KAL	Done		
264	DosFindFirst	Gate to KAL	Done		
265	DosFindNext	Gate to KAL	Done		
266	DOS16OPENVDD				
267	DOS16REQUESTVDD				
268	DOS16CLOSEVDD				
269	DosFSAttach				
270	DosCreateDir	Gate to KAL	Done		
271	DosMove		Done		
272	DosSetFileSize	Wrapper around DosSetFileSizeL	Done		
273	DosOpen	Wrapper around DosOpenL	Done		
274	DosQueryCurrentDir	Gate to KAL	Done		
275	DosQueryCurrentDisk	Gate to KAL	Done		
276	DosQueryFHState	Gate to KAL	Done		
277	DosQueryFSAttach				
278	DosQueryFSInfo				
279	DosQueryFileInfo	Gate to KAL	Done		
280	DosWaitChild				
281	DosRead	Gate to KAL	Done		
282	DosWrite	Gate to KAL	Done		
283	DosExecPgm	Gate to KAL	Done		
284	DosDevIOCtl				
285	DosFSctl	Gate to KAL	Done		
286	DosBeep				
287	DosPhysicalDisk				
288	DosSetCp				
289	DosSetProcessCp				
290	DosStopTimer				
291	DosQueryCp	Gate to KAL			
292	DosSetDateTime				

Ordinal	Name	Description	Status	FAPI	Version
293	THK32ALLOCBLOCK				
294	THK32FREEBLOCK				
295	THK32R3DS				
296	DosExitList				
297	DosAllocProtectedMem				
298	DosAliasMem				
299	DosAllocMem	Gate to KAL	Done		
300	DosAllocSharedMem	Gate to KAL	Done		
301	DosGetNamedSharedMem	Gate to KAL	Done		
302	DosGetSharedMem	Gate to KAL	Done		
303	DosGiveSharedMem	Gate to KAL	Done		
304	DosFreeMem	Gate to KAL	Done		
305	DosSetMem	Gate to KAL	Done		
306	DosQueryMem	Gate to KAL	Done		
307	DosQueryMemState				
308	DosOpenVDD				
309	DosRequestVDD				
310	DosCloseVDD				
311	DosCreateThread	Gate to KAL	Done		
312	DosGetInfoBlocks	Gate to KAL	Done		
313	DOS16ALLOCPROTSEG				
314	DOS16ALLOCSHRPROTSEG				
315	DOS16ALLOCPROTHUGE				
316	DosDynamicTrace				
317	DosDebug				
318	DosLoadModule	Gate to KAL	Done		
319	DosQueryModuleHandle	Gate to KAL	Done		
320	DosQueryModuleName	Gate to KAL	Done		
321	DosQueryProcAddr	Gate to KAL	Done		
322	DosFreeModule	Gate to KAL	Done		
323	DosQueryAppType	Gate to KAL	Done		
324	DosCreateEventSem	Gate to KAL	Done		
325	DosOpenEventSem	Gate to KAL	Done		
326	DosCloseEventSem	Gate to KAL	Done		
327	DosResetEventSem				
328	DosPostEventSem				
329	DosWaitEventSem				
330	DosQueryEventSem				
331	DosCreateMutexSem				
332	DosOpenMutexSem				
333	DosCloseMutexSem				
334	DosRequestMutexSem				
335	DosReleaseMutexSem				
336	DosQueryMutexSem				
337	DosCreateMuxWaitSem				

Ordinal	Name	Description	Status	FAPI	Version
338	DosOpenMuxWaitSem				
339	DosCloseMuxWaitSem				
340	DosWaitMuxWaitSem				
341	DosAddMuxWaitSem				
342	DosDeleteMuxWaitSem				
343	DosQueryMuxWaitSem				
344	DosSubSetMem				
345	DosSubAllocMem				
346	DosSubFreeMem				
347	DosSubUnsetMem				
348	DosQuerySysInfo				
349	DosWaitThread	Gate to KAL	Done		
350	DosAsyncTimer				
351	DosStartTimer				
352	DosGetResource				
353	DosFreeResource				
354	DosSetExceptionHandler				
355	DosUnsetExceptionHandler				
356	DosRaiseException				
357	DosUnwindException				
358	DosQueryPageUsage				
359	DosQueryModFromCS				
360	DosQueryModFromEIP				
361	DosFPDataArea				
362	DosTmrQueryFreq				
363	DosTmrQueryTime				
364	DosAliasPerfCtrs				
365	DosConfigPerf				
366	DosDeconPerf				
367	DosRegisterPerfCtrs				
368	DosQuerySysState				
369	DosFlatCS				
370	DosFlatDS				
371	DosQueryABIOSupport				
372	DosEnumAttribute				
373	DosQueryDOSProperty				
374	DosSetDOSProperty				
375	DOS16QUERYDOSPROPERTY	Wrapper around DosQueryDOSProperty			
376	DOS16SETDOSPROPERTY	Wrapper around DosSetDOSProperty			
377	Dos32Profile				
378	DosSetSignalExceptionFocus				
379	DosSendSignalException				
380	DosEnterMustComplete				

Ordinal	Name	Description	Status	FAPI	Version
381	DosExitMustComplete				
382	DosSetRelMaxFH	Gate to KAL	Done		
383	DOS16PUTMESSAGE	Wrapper around DosPutMessage			
384	DOS16TRUEGETMESSAGE	Wrapper around DosTrueGetMessage	Done		
385	DOS16INSMESSAGE	Wrapper around DosInsertMessage			
386	DosInsertMessage		Done		
387	DosPutMessage		Done		
388	DosTrueGetMessage		Done		
389	DOS16QUERYMESSAGECP				
390	DosIQueryMessageCP		Done		
391	DOS16CASEMAP	Wrapper around DosMapCase			
392	DOS16GETCOLLATE	Wrapper around DosQueryCollate			
393	DOS16GETCTRYINFO	Wrapper around DosQueryCtryInfo			
394	DOS16GETDBCSEV	Wrapper around DosQueryDBCSEnv			
395	DosQueryCtryInfo				
396	DosQueryDBCSEnv	Gate to KAL	Done		
397	DosMapCase				
398	DosQueryCollate				
399	DOS16MAKENMPIPE				
400	DOS16QNMPIPEINFO				
401	DOS16CONNECTNMPIPE				
402	DOS16DISCONNECTNMPIPE				
403	DOS16QNMPHANDSTATE				
404	DOS16SETNMPHANDSTATE				
405	DOS16PEEKNMPIPE				
406	DOS16WAITNMPIPE				
407	DOS16TRANSACTNMPIPE				
408	DOS16CALLNMPIPE				
409	DOS16RAWREADNMPIPE				
410	DOS16RAWWRITENMPIPE				
411	DOS16SETNMPPIPESEM				
412	DOS16QNMPIPESEMSTATE				
413	StartLazyWriter				
414	_QueInst_Data				
415	DosShutdown				
416	DosICacheModule	Internal undocumented function		No	
417	DosReplaceModule				
418	DosAcknowledgeSignalException				
419	DosTIB				

Ordinal	Name	Description	Status	FAPI	Version
420	DOS16TMRQUERYFREQ				
421	DOS16TMRQUERYTIME				
422	DOS16REGISTERPERFCTRS				
423	DOS16FLATTOSEL	Wrapper around DosFlatToSel			
424	DOS16SELTOFLAT	Wrapper around DosSelToFlat			
425	DosFlatToSel				
426	DosSelToFlat				
427	DosIODelayCnt				
428	DosSetFileLocks	Wrapper around DosSetFileLocksL	Done		
429	DosCancelLockRequest	Wrapper around DosCancelLockRequestL	Done		
430	LogOpen				
431	LogClose				
432	LogAddEntries				
433	LogGetEntries				
434	LogSetState				
435	LogSetName				
436	LogQueryState				
437	DOS16OPENCHANGENOTIFY	Wrapper around DosOpenChangeNotify			
438	DOS16RESETCHANGENOTIFY	Wrapper around DosResetChangeNotify			
439	DOS16CLOSECHANGENOTIFY	Wrapper around DosCloseChangeNotify			
440	DosOpenChangeNotify				
441	DosResetChangeNotify				
442	DosCloseChangeNotify				
443	DOS16QUERYABIOSSUPPORT				
444	DosForceSystemDump				
447	Dos32GetProcessorStatus				
448	Dos32SetProcessorStatus				
449	DOS16CREATESPINLOCK				
450	DOS16ACQUIRESPINLOCK				
451	DOS16RELEASESPINLOCK				
452	DOS16FREESPINLOCK				
453	Dos32TestPSD				
454	DosAllocThreadLocalMemory				
455	DosFreeThreadLocalMemory				
460	DosVerifyPidTid				
464	PTDA_LANMAN_SEC	Variable	Done		
465	PTDA_PID	Variable	Done		
466	SAS_SEL	Variable	Done		
467	TCB_OPCOOKIE	Variable	Done		
468	TCB_OPFLAGS	Variable	Done		
469	TCB_NEWFLAGS	Variable	Done		

Ordinal	Name	Description	Status	FAPI	Version
470	TCB_USER_ID	Variable	Done		
471	TCB_PROC_ID	Variable	Done		
472	TCB_FSHARING	Variable	Done		
473	TCB_SRVATTRIB	Variable	Done		
474	TCB_ALLOWED	Variable	Done		
475	TCB_PRTCB	Variable	Done		
476	TCB_NUMBER	Variable	Done		
477	TCB_THISSFT	Variable	Done		
478	TCB_THISCDS	Variable	Done		
479	TKOPTDA	Variable	Done		
480	PTDA_CRITSEC	Variable	Done		
481	PTDA_HOLDSSIGCNT	Variable	Done		
482	PTDA_PPTDAPARENT	Variable	Done		
483	PTDA_PGDATA	Variable	Done		
484	PTDA_HANDLE	Variable	Done		
485	PTDA_MODULE	Variable	Done		
486	PTDA_LDTHANDLE	Variable	Done		
487	PTDA_CODEPAGE_TAG	Variable	Done		
488	PTDA_JFN_LENGTH	Variable	Done		
489	PTDA_JFN_PTABLE	Variable	Done		
490	PTDA_JFN_FLG_PTR	Variable	Done		
491	PTDA_EXTERR_LOCUS	Variable	Done		
492	PTDA_EXTERR	Variable	Done		
493	PTDA_EXTERR_ACTION	Variable	Done		
494	PTDA_EXTERR_CLASS	Variable	Done		
495	PTDA_PPID	Variable	Done		
496	PTDA_PROCTYPE	Variable	Done		
497	PTDA_CURRTCB	Variable	Done		
498	PTDA_CURRTSD	Variable	Done		
499	PTDA_SIGNATURE	Variable	Done		
541	DoslOpenL	Internal undocumented function		No	
542	DoslProtectOpenL	Internal undocumented function		No	
543	DoslSetFileSizeL	Internal undocumented function		No	
544	DoslProtectSetFileSizeL	Internal undocumented function		No	
545	DosExceptionCallBack				
546	THK32STRLEN				
547	THK32_UNITHUNK				
548	DosR3ExceptionDispatcher				
549	DosLibiDisp				
550	DosLibiDisp16				
551	DosLibiDisp32				
552	DOS16R3EXITADDR				

Ordinal	Name	Description	Status	FAPI	Version
553	Dos32R3ExitAddr				
554	Dos32IRead	Internal undocumented function		No	
556	Dos32IWrite	Internal undocumented function		No	
557	Dos32CreateSpinLock				
558	Dos32AcquireSpinLock				
559	Dos32ReleaseSpinLock				
560	Dos32FreeSpinLock				
561	Dos32PMR3WaitEventSem				
562	Dos32PMR3PostEventSem				
563	Dos32QueryThreadAffinity				
564	Dos32SetThreadAffinity				
565	DosISetFileInfo	Internal undocumented function		No	
566	DosISetPathInfo	Internal undocumented function		No	
569	DosIFindNext	Internal undocumented function		No	
570 ???	Dos16SetFileSizeL				
572	Dos32QueryResourceSize				
573	DOS16QUERYRESOURCESIZE	Wrapper around Dos32QueryResourceSize			
574	DosPMSemWait				
575	DosPMMuxSemWait				
576	THK16_UNITHUNK				
577	HT16_STARTUP				
578	HT16_CLEANUP				
579	HT32_STARTUP				
580	DosInitializePorthole				
581	HT32_CLEANUP				
582	DosQueryHeaderInfo				
583	DOS16INITIALIZEPORTHOLE				
584	DOS16QUERYHEADERINFO				
585	Mon32MonRead				
586	Dos32QueryProcType	Gate to KAL	Done		
587	DOS16QUERYPROCTYPE				
588	Mon32MonWrite				
589	DosISigDispatch	Internal undocumented function		No	
590	Dos32PMPostEventSem				
591	Dos32PMWaitEventSem				
592	DosDIITermDisp				
593	Dos32PMRequestMutexSem				
594	DosIRaiseException	Internal undocumented function		No	

Ordinal	Name	Description	Status	FAPI	Version
595	Dos32PMWaitMuxWaitSem				
596	DOSPM16SEMCHK				
597	DosIQueryFHState	Internal undocumented function		No	
598	DosISetFHState	Internal undocumented function		No	
599	DosLDTSel				
600	DosR3Frestor				
601	DosIFindFirst	Internal undocumented function		No	
606	DosMonOpen				
607	DosMonClose				
608	DosMonRead				
609	DosMonWrite				
610	DosMonReg				
615	Dos32IProtectWrite	Internal undocumented function		No	
617	DosIProtectSetFileInfo	Internal undocumented function		No	
618	Dos32IProtectSetFileInfo	Internal undocumented function		No	
619	Dos32IProtectSetFHState	Internal undocumented function		No	
620	Dos32IProtectQueryFHState	Internal undocumented function		No	
621	DosProtectSetFilePtr	Wrapper around DosProtectSetFilePtrL	Done		
622	DOS16PROTECTCLOSE	Wrapper around DosProtectClose			
623	DOS16PROTECTFILEIO				
624	DOS16PROTECTFILELOCKS				
625	DosIProtectRead	Internal undocumented function		No	
626	DosIProtectWrite	Internal undocumented function		No	
627	DOS16PROTECTNEWSIZE				
628	DOS16PROTECTOPEN	Wrapper around DosProtectOpen			
629	DOS16PROTECTQFHANDSTATE				
630	DOS16PROTECTSETFHANDSTATE				
631	DOS16PROTECTQFILEINFO				
632	DOS16PROTECTSETFILEINFO				
634	DOS16PROTECTCHGFILEPTR				
635	DOS16PROTECTENUMATTRIBUTE				
636	DosProtectEnumAttribute				
637	DosProtectOpen	Wrapper around DosProtectOpenL	Done		
638	DosProtectClose				

Ordinal	Name	Description	Status	FAPI	Version
639	DosProtectSetFileLocks	Wrapper around DosProtectSetFileLocksL	Done		
640	DosProtectSetFileSize	Wrapper around DosProtectSetFileSizeL	Done		
641	DosProtectRead				
642	DosProtectWrite				
643	DosProtectSetFileInfo				
644	DosProtectSetFHState				
645	DosProtectQueryFHState				
646	DosProtectQueryFileInfo				
647	Dos32IProtectRead	Internal undocumented function		No	
649	DosCloseMessageFile				
650	DosLDRDirtyWorker				
651	DOS16LDRDIRTYWORKER				
652	Dos32IGetInfoBlocks	Internal undocumented function		No	
653	T32IGETINFOBLOCKS	Internal undocumented function		No	
656	T32GETPROCESSORSTATUS				
657	T32SETPROCESSORSTATUS				
658	T32TESTPSD				
659	T32QUERYTHREADAFFINITY				
660	T32SETTHREADAFFINITY				
661	Dos32ReadQueue				
662	Dos32PurgeQueue				
663	Dos32CloseQueue				
664	Dos32QueryQueue				
665	Dos32PeekQueue				
666	Dos32WriteQueue				
667	Dos32OpenQueue				
668	Dos32CreateQueue				
669	Dos32StartSession				
670	Dos32SelectSession				
671	Dos32SetSession				
672	Dos32StopSession				
673	DosRegisterNotification				
674	DOS16READQUEUE	Wrapper around DosReadQueue			1.0
675	DOS16PURGEQUEUE	Wrapper around DosPurgeQueue			1.0
676	DOS16CLOSEQUEUE	Wrapper around DosCloseQueue			
677	DOS16QUERYQUEUE	Wrapper around DosQueryQueue			1.0
678	DOS16PEEKQUEUE	Wrapper around DosPeekQueue			1.0

Ordinal	Name	Description	Status	FAPI	Version
679	DOS16WRITEQUEUE	Wrapper around DosWriteQueue			1.0
680	DOS16OPENQUEUE	Wrapper around DosOpenQueue			1.0
681	DOS16CREATEQUEUE	Wrapper around DosCreateQueue			
682	DOS16SMGETMEM				
683	DOS16SMFREEMEM				
684	DOS16SMGETSGCB				
685	DOS16SMINITSGCB				
686	DOS16MSGDOPOPUP				
687	DOS16SMSWITCH				
688	DOS16SMSERVEAPPREQ				
689	DOS16GETTIMES				
690	DOS16SMSETTITLE				
691	DOS16SCRUNLOCK				
692	DOS16SMDOAPPREQ				
693	DOS16STOPSESSION	Wrapper around DosStopSession			1.0
694	DOS16SELECTSESSION	Wrapper around DosSelectSession			1.0
695	DOS16SCRLOCK				
696	DOS16SAVREDRAWWAIT				
697	DOS16SAVREDRAWUNDO				
698	DOS16MSGENDPOPUP				
699	DOS16SETSESSION	Wrapper around DosSetSession			1.0
700	DOS16SETMNLOCKTIME				
701	DOS16MODEUNDO				
702	DOS16STARTSESSION	Wrapper around DosStartSession			1.0
703	DOS16SMGETSTATUS				
704	DOS16MODEWAIT				
705	DOS16SMTERMINATE				
706	DOS16SMGETAPPREQ				
707	DOS16SMINITIALIZE				
708	DOS16SMSTART				
709	DOS16SMPARENTSWITCH				
710	DOS16SMPAUSE				
711	DOS16SMHDEINIT				
712	DOS16SMPMPRESENT				
713	DOS16SMREGISTERDD				
714	DOS16SMNOTIFYDD				
715	DOS16SMNOTIFYDD2				
716	DOS16SMOPENDD				
717	DOS16SMSETSESSIONTYPE				
718	OS2BaseInit				

Ordinal	Name	Description	Status	FAPI	Version
719	MOU16GETPTRSHAPE	Wrapper around EMXWRAP.301			
720	MOU16SETPTRSHAPE	Wrapper around EMXWRAP.302			
721	MOU16GETNUMMICKEYS	Wrapper around EMXWRAP.303			
722	MOU16GETTHRESHOLD	Wrapper around EMXWRAP.330			
723	MOU16SHELLINIT				
724	MOU16GETSCALEFACT	Wrapper around EMXWRAP.306			
725	MOU16FLUSHQUE	Wrapper around EMXWRAP.307			
726	MOU16GETNUMBUTTONS	Wrapper around EMXWRAP.308			
727	MOU16CLOSE	Wrapper around EMXWRAP.309			
728	MOU16SETTHRESHOLD	Wrapper around EMXWRAP.329			
729	MOU16SETSCALEFACT	Wrapper around EMXWRAP.311			
730	MOU16GETNUMQUEEL	Wrapper around EMXWRAP.312			
731	MOU16DEREGISTER	Wrapper around EMXWRAP.314			
732	MOU16GETEVENTMASK	Wrapper around EMXWRAP.315			
733	MOU16SETEVENTMASK	Wrapper around EMXWRAP.316			
734	MOU16OPEN	Wrapper around EMXWRAP.317			
735	MOU16REMOVEPTR	Wrapper around EMXWRAP.318			
736	MOU16GETPTRPOS	Wrapper around EMXWRAP.319			
737	MOU16READEVENTQUE	Wrapper around EMXWRAP.320			
738	MOU16SETPTRPOS	Wrapper around EMXWRAP.321			
739	MOU16GETDEVSTATUS	Wrapper around EMXWRAP.322			
740	MOU16SYNCH	Wrapper around EMXWRAP.323			
741	MOU16REGISTER	Wrapper around EMXWRAP.324			
742	MOU16SETDEVSTATUS	Wrapper around EMXWRAP.325			
743	MOU16DRAWPTR	Wrapper around EMXWRAP.326			
744	MOU16INITREAL	Wrapper around EMXWRAP.327			
745	KBDSETCUSTXT	Wrapper around EMXWRAP.201			
746	KBDINIT				
747	KBDGETCP	Wrapper around EMXWRAP.203			
748	KBDCHARIN	Wrapper around EMXWRAP.204			
749	KBDSETCP	Wrapper around EMXWRAP.205			
750	KBDLOADINSTANCE				
751	KBDSYNCH	Wrapper around EMXWRAP.206			
752	KBDREGISTER	Wrapper around EMXWRAP.208			
753	KBDSTRINGIN	Wrapper around EMXWRAP.209			
754	KBDGETSTATUS	Wrapper around EMXWRAP.210			
755	KBDSETSTATUS	Wrapper around EMXWRAP.211			
756	KBDGETFOCUS	Wrapper around EMXWRAP.212			
757	KBDFLUSHBUFFER	Wrapper around EMXWRAP.213			
758	KBDXLATE	Wrapper around EMXWRAP.214			
759	KBDSWITCHFGND				
760	KBDSHELLINIT				
761	KBDCLOSE	Wrapper around EMXWRAP.217			
762	KBDFREEFOCUS	Wrapper around EMXWRAP.218			
763	KBDFREE				

Ordinal	Name	Description	Status	FAPI	Version
764	KBDDEREGISTER	Wrapper around EMXWRAP.220			
765	KBDSETFGND	Wrapper around EMXWRAP.221			
766	KBDPEEK	Wrapper around EMXWRAP.222			
767	KBDOPEN	Wrapper around EMXWRAP.223			
768	KBDGETHWID	Wrapper around EMXWRAP.224			
769	KBDSETHWID	Wrapper around EMXWRAP.225			
770	VIOENDPOPOP	Wrapper around EMXWRAP.101			
771	VIOGETPHYSBUF	Wrapper around EMXWRAP.102			
772	VIOGETANSI	Wrapper around EMXWRAP.103			
773	VIOFREE				
774	VIOSETANSI	Wrapper around EMXWRAP.105			
775	VIODEREGISTER	Wrapper around EMXWRAP.106			
776	VIOSCROLLUP	Wrapper around EMXWRAP.107			
777	VIOPTSC	Wrapper around EMXWRAP.108			
778	VIOGETCURPOS	Wrapper around EMXWRAP.109			
779	VIOVRTCELLSTR	Wrapper around EMXWRAP.110			
780	VIOPOPUP	Wrapper around EMXWRAP.111			
781	VIOSCROLLRT	Wrapper around EMXWRAP.112			
782	VIOVRTCHARSTR	Wrapper around EMXWRAP.113			
783	AVS_PRTSC				
784	VIOSETCURPOS	Wrapper around EMXWRAP.115			
785	VIOSRFUNBLOCK				
786	VIOSRFBLOCK				
787	VIOSCRUNLOCK	Wrapper around EMXWRAP.118			
788	VIOVRTTTY	Wrapper around EMXWRAP.119			
789	VIOSAVE				
790	VIOGETMODE	Wrapper around EMXWRAP.121			
791	VIOSETMODE	Wrapper around EMXWRAP.122			
792	VIOSCRLOCK	Wrapper around EMXWRAP.123			
793	VIOREADCELLSTR	Wrapper around EMXWRAP.124			
794	VIOAVREDRAWWAIT	Wrapper around EMXWRAP.125			
795	VIOVRTNATTR	Wrapper around EMXWRAP.126			
796	VIOGETCURTYPE	Wrapper around EMXWRAP.127			
797	VIOAVREDRAWUNDO	Wrapper around EMXWRAP.128			
798	VIOGETFONT	Wrapper around EMXWRAP.129			
799	VIOREADCHARSTR	Wrapper around EMXWRAP.130			
800	VIOGETBUF	Wrapper around EMXWRAP.131			
801	VIOSETCURTYPE	Wrapper around EMXWRAP.132			
802	VIOSETFONT	Wrapper around EMXWRAP.133			
803	VIOHETINIT				
804	VIOMODEUNDO	Wrapper around EMXWRAP.135			
805	VIOSSWSWITCH				
806	VIOMODEWAIT	Wrapper around EMXWRAP.137			
807	AVS_PRTSCTOGGLE				
808	VIOGETCP	Wrapper around EMXWRAP.140			

Ordinal	Name	Description	Status	FAPI	Version
809	VIORESTORE				
810	VIOSETCP	Wrapper around EMXWRAP.142			
811	VIOSHOWBUF	Wrapper around EMXWRAP.143			
812	VIOSCROLLLF	Wrapper around EMXWRAP.144			
813	VIOREGISTER	Wrapper around EMXWRAP.145			
814	VIOGETCONFIG	Wrapper around EMXWRAP.146			
815	VIOSCROLLDN	Wrapper around EMXWRAP.147			
816	VIOVRTCHARSTRATT	Wrapper around EMXWRAP.148			
817	VIOGETSTATE	Wrapper around EMXWRAP.149			
818	VIOVRTSCTOGGLE	Wrapper around EMXWRAP.150			
819	VIOSETSTATE	Wrapper around EMXWRAP.151			
820	VIOVRTNCELL	Wrapper around EMXWRAP.152			
821	VIOVRTNCHAR	Wrapper around EMXWRAP.153			
822	VIOSHELLINIT				
823	VIOASSOCIATE	Wrapper around EMXWRAP.155			
824	VIOCREATEPS	Wrapper around EMXWRAP.156			
825	VIODELETESETID	Wrapper around EMXWRAP.157			
826	VIOGETDEVICECELLSIZE	Wrapper around EMXWRAP.158			
827	VIOGETORG	Wrapper around EMXWRAP.159			
828	VIOCREATELOGFONT	Wrapper around EMXWRAP.160			
829	VIODESTROYPS	Wrapper around EMXWRAP.161			
830	VIOQUERYSETIDS	Wrapper around EMXWRAP.162			
831	VIOSETORG	Wrapper around EMXWRAP.163			
832	VIOQUERYFONTS	Wrapper around EMXWRAP.164			
833	VIOSETDEVICECELLSIZE	Wrapper around EMXWRAP.165			
834	VIOSHOWPS	Wrapper around EMXWRAP.166			
835	VIOGETPSADDRESS				
836	VIOQUERYCONSOLE				
837	VIOREDRAWSIZE				
838	VIOGLOBALREG	Wrapper around EMXWRAP.170			
839	XVIOSETCASTATE				
840	XVIOCHECKCHARTYPE				
841	XVIODESTROYCA				
842	XVIOCREATECA				
843	VIOCHECKCHARTYPE	Wrapper around EMXWRAP.175			
844	XVIOGETCASTATE				
845	BVSMAIN				
846	BVSREDRAWSIZE				
847	BVSGETPTRDRAWNAME				
848	AnsiInject	Inject ANSI DSR output to KbdHandler buffer			
849	AnsiKeydef	ANSI keyboard key reassignment			
850	AnsiInterp	ANSI Control Code Sequence interpreter			
851	BKSMMAIN				

Ordinal	Name	Description	Status	FAPI	Version
852	BMSMAIN				
853	MOU16GETHOTKEY				
854	MOU16SETHOTKEY				
855	DOS16SMSYSINIT				
856	QhKeybdHandle				
857	QhMouseHandle				
858	SMQueueRamSem				
859	SMArray				
860	SMPIDArray				
861	SMinitialized				
862	SMArraySize				
863	BVSGLOBAL				
864	SMGINSTANCE				
865	BVHINSTANCE	BVH Instance variable	Done		
866	THK32ALIASMEM				
867	THK32FREEALIAS				
868	THK32ALLOCVARLEN				
869	THK32HANDLEBOUNDARY				
870	THK32HANDLESTRING				
871	THK32DEALLOC				
872	THK32XHNDLR				
873	Dos32SetExtLIBPATH				
874	Dos32QueryExtLIBPATH				
875	DOSPM16SEMRST				
876	DosSysCtl				
877	Dos32QueryThreadContext				
878	DosSGQueryTopmost				
976	DosPerfSysCall				
981	DosOpenL	Gate to KAL	Done		
982	DosProtectOpenL				
983	DosProtectSetFileLocksL				
984	DosProtectSetFilePtrL				
985	DosProtectSetFileSizeL				
986	DosSetFileLocksL				
987	DosCancelLockRequestL				
988	DosSetFilePtrL				
989	DosSetFileSizeL	Gate to KAL	Done		
990	DosListIOL				
991	DOS16FSRAMSEMREQUEST2				
992	DOS16FSRAMSEMCLEAR2				
995	DosSystemService	Needed for Java			
996	DosListIO	Wrapper around DosListIOL	Done		
997	DosCreateThread2				
998	DOS16SETEXTLIBPATH				
999	DOS16QUERYEXTLIBPATH				

Ordinal	Name	Description	Status	FAPI	Version
1000	T32EXITLIST				
1001	T32ALLOCPROTECTEDMEM				
1002	T32ALIASEMEM				
1003	T32ALLOCMEM				
1004	T32ALLOCSHAREDMEM				
1005	T32GETNAMEDSHAREDMEM				
1006	T32GETSHAREDMEM				
1007	T32GIVESHAREDMEM				
1008	T32FREEMEM				
1009	T32SETMEM				
1010	T32QUERYMEM				
1011	T32QUERYMEMSTATE				
1012	T32OPENVDD				
1013	T32REQUESTVDD				
1014	T32CLOSEVDD				
1015	T32CREATETHREAD				
1016	T32DYNAMICTRACE				
1017	T32DEBUG				
1018	T32QUERYPROCADDR				
1019	T32CREATEEVENTSEM				
1020	T32OPENEVENTSEM				
1021	T32CLOSEEVENTSEM				
1022	T32RESETEVENTSEM				
1023	T32POSTEVENTSEM				
1024	T32WAITEVENTSEM				
1025	T32QUERYEVENTSEM				
1026	T32CREATEMUTEXSEM				
1027	T32OPENMUTEXSEM				
1028	T32CLOSEMUTEXSEM				
1029	T32REQUESTMUTEXSEM				
1030	T32RELEASEMUTEXSEM				
1031	T32QUERYMUTEXSEM				
1032	T32CREATEMUXWAITSEM				
1033	T32OPENMUXWAITSEM				
1034	T32CLOSEMUXWAITSEM				
1035	T32WAITMUXWAITSEM				
1036	T32ADDMUXWAITSEM				
1037	T32DELETEMUXWAITSEM				
1038	T32QUERYMUXWAITSEM				
1039	T32QUERYSYSINFO				
1040	T32WAITTHREAD				
1041	T32GETRESOURCE				
1042	T32FREERESOURCE				
1043	T32EXCEPTIONCALLBACK				
1044	T32QUERYPAGEUSAGE				

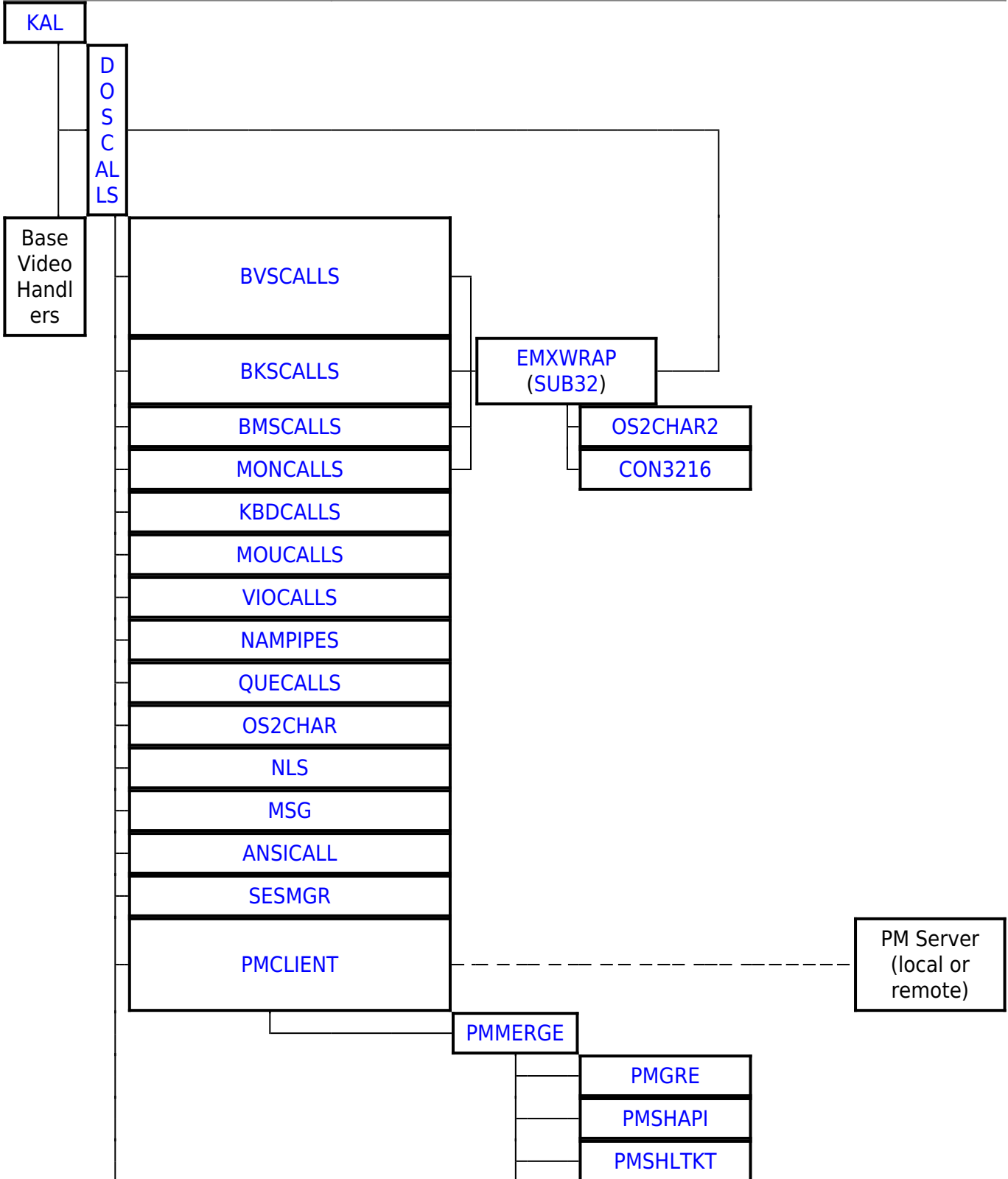
Ordinal	Name	Description	Status	FAPI	Version
1045	T32FORCESYSTEMDUMP				
1046	T32ASYNCTIMER				
1047	T32STARTTIMER				
1048	T32QUERYABIOSSUPPORT				
1049	T32QUERYMODFROMEIP				
1050	T32ALIASPERFCTRS				
1051	T32CONFIGUREPERF				
1052	T32DECONPERF				
1053	T32REGISTERPERFCTRS				
1054	T32QUERYSYSSTATE				
1055	T32IREAD				
1056	T32IWRITE				
1057	T32TMRQUERYFREQ				
1058	T32TMRQUERYTIME				
1059	T32IMONREAD				
1060	T32IMONWRITE				
1061	T32QUERYRESOURCESIZE				
1062	T32PROFILE				
1063	T32SETSIGNALEXCEPTIONFOCUS				
1064	T32SENDSIGNALEXCEPTION				
1065	T32STARTTIMER				
1066	T32STOPTIMER				
1067	T32ASYNCTIMER				
1068	T32INITIALIZEPORTHOLE				
1069	T32QUERYHEADERINFO				
1070	T32QUERYPROCTYPE				
1071	T32IEXITMUSTCOMPLETE				
1072	T32ICACHEMODULE				
1073	T32DLLTERM				
1074	T32IRAISEEXCEPTION				
1075	T32ACKNOWLEDGESIGNALEXCEPTION				
1076	T32QUERYDOSPROPERTY				
1077	T32SETDOSPROPERTY				
1078	T32SETFILELOCKS				
1079	T32CANCELLOCKREQUEST				
1080	T32KILLTHREAD				
1081	TQUERYRASINFO				
1082	T32DUMPPROCESS				
1083	T32SUPPRESSPOUPS				
1084	T32IPROTECTWRITE				
1085	T32PROTECTSETFILELOCKS				
1086	T32IPROTECTREAD				
1087	T32PMPOSTEVENTSEM				
1088	T32PMWAITEVENTSEM				
1089	T32PMREQUESTMUTEXSEM				

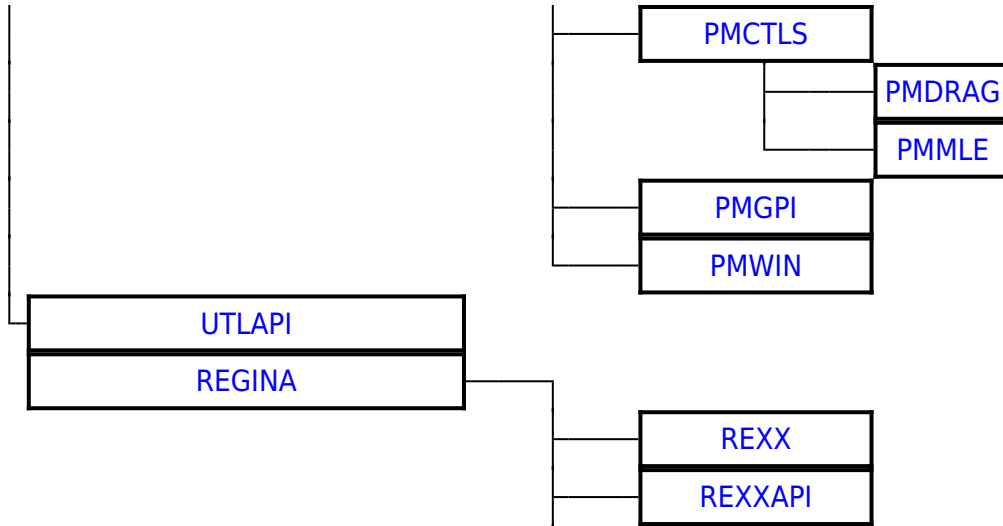
Ordinal	Name	Description	Status	FAPI	Version
1090	T32PMWAITMUXWAITSEM				
1091	T32PM16SEMCHK				
1092	T32ALLOCTHREADLOCALMEMORY				
1093	T32FREETHREADLOCALMEMORY				
1094	T32SETEXTLIBPATH				
1095	T32QUERYEXTLIBPATH				
1096	T32PM16SEMRST				
1097	T32VERIFYPIDTID				
1098	T32SYSCTL				
1099	T32QUERYTHREADCONTEXT				
1101	T32PERFSYSCALL				
1102	T32LISTIO				
1103	T32PMR3WAITEVENTSEM				
1104	T32PMR3POSTEVENTSEM				
1105	T32CREATETHREAD2				
1106	T32PROTECTSETFILELOCKSL				
1107	T32IPROTECTSETFILEPTL				
1108	T32SETFILELOCKSL				
1109	T32CANCELLOCKREQUESTL				
1110	T32ISETFILEPTL				
1111	T32LISTIOL				
1112	DosLogWrite	osFree extension. Gate to KAL	Done		
1116	T32ISETFILEPTR				
1117	T32IPROTECTSETFILEPTR				
9004	Dos32CreateRamSem				
9005	Dos32CloseRamSem				
9006	Dos32OpenRamSem				
9007	Dos32RequestRamSem				
9008	Dos32ReleaseRamSem				
9010	Dos32QueryProcessInfo				
9011	Dos32QueryThreadInfo				
9018	Dos32FindFromName				

OS/2 DLLs

Base API	DOSCALLS EMXWRAP SUB32 ANSICALL NLS MSG MONCALLS KBDSCALLS MOUCALLS VIOCALLS SESMGR BKSCALLS BMSCALLS BVSCALLS NAMPIPES QUECALLS OS2CHAR
Bidirectional NLS	BDCALLS BDCALLS32 BDIME BDBVH BDVIEW BDWPCLS BIDIPM PMBIDI
Unicode API	UCONV UNIKBD LIBUNI
BVH (Base Video Handlers)	BVHINIT BVHMPA BVHVGA BVHSVGGA BVHWNDW
GRADD subsystem	VMAN SOFTDRAW GRE2VMAN GENGRADD
IPF (Information Presentation facility)	HELPMGR HPMGRMRI MINXOBJ IBMHMGR NEWVIEW MINXMRI ERRTXT
REXX	REXX REXXAPI REXXUTIL REGINA
The core PM DLL's	PMMERGE PMMRGRES PMSHAPI PMSHLTKT PMGRE PMGPI PMDRAG PMCTLS PMMLE PMSPL PMVIOP PMWIN

OS/2 DLLs	
Open32	PMWINX MIRRORS REGISTRY
Intelligent Font Interface drivers	PMATM TRUETYPE PMUNIF FREETYPE PMPRE
Data Exchange	PMCLIP PMDDE PMDDEML
VDM PM interface	PMVDMH PMVDMP SEAMLESS SHIELD
WPS	PMWP PMWPMRU PMVDDROP
Miscellaneous	PMPIC PMTKT MVDM
SOM API	SOM SOMC





2016/07/25 02:16 · prokushev · [0 Comments](#)

From:

<http://osfree.i2p/doku/> - **osFree wiki**

Permanent link:

<http://osfree.i2p/doku/doku.php?id=en:docs:os2:modules:doscalls>

Last update: **2024/04/09 07:13**

